



Dining Surfaces

TM 2013-14

Effective Date: June 1, 2013
2012 TAS Reference: 226 and 902

Dispersion

The requirements of TAS 226 and 902 are applicable to fixed or built-in dining surfaces based on TAS 201.1. In addition, dining surfaces must be dispersed based on TAS 226.2; therefore, each type of dining surface must comply with TAS 902. Examples of different types of dining surfaces include, but are not limited to, bars, tables, lunch counters, and booths.

Calculations

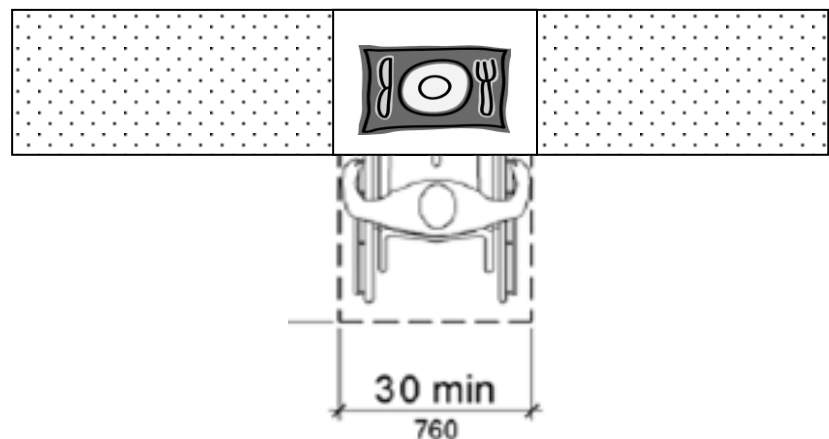
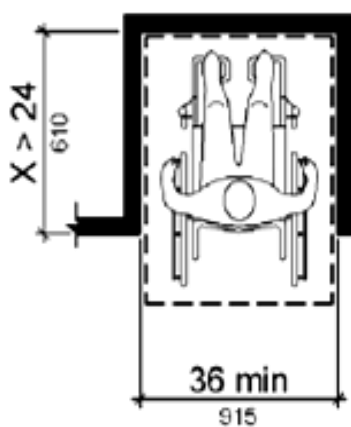
At least 5% of the seating and standing spaces at fixed or built-in dining surfaces provided for the consumption of food or drink must comply with 902 based on TAS 226.2.

This includes, but is not limited to; seating and standing spaces provided at fixed or built-in tables, bars, lunch counters, and booths. The option in the 1994 TAS to provide service at accessible tables in lieu of providing accessible dining surfaces and bars does not apply to projects subject to the 2012 TAS.

A measurement of 18" per person shall be used to calculate the number of seating and standing capacity of a dining surface.

Length

Clear floor space complying with TAS 305 for a forward approach is required for an accessible dining surface based on TAS 902.2. Therefore, accessible dining surfaces shall be 30" minimum in length based on 305.5 or 36" minimum if the clear floor space is located in an alcove based on TAS 305.7.1.



These clarifications do not constitute a substantive change to the compliance requirements of TAS.